

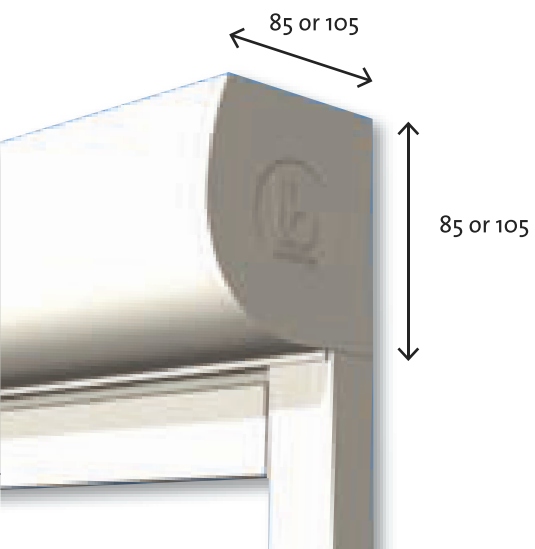
# Guaranteed privacy inside


The Brustor B-1085 and the B-1100 are vertical screens which offer effective solutions to keep sun and warmth outside the house.

The Brustor screen is easy to install on every window of the façade and it is available in these versions:

- the standard windproof screen;
- the built-in screen;
- the screen with strap operation

There are 2 compact screen boxes (85mm and 105mm)



DIMENSIONS	B-1085	B-1100
width	min. 0,80 m max. 3,60 - 7,20 m (coupled)	min. 0,80 m max. 4,00 - 7,20 m (coupled)
height	min. 0,50 m - max. 3,50 m depending on width and fabric	min. 0,50 m - max. 4,00 m depending on width and fabric
operation	gear - motor (optional)	
FABRIC	B-1085	B-1100
	Screen - Soltis 86 - Soltis 92	
COLOURS	B-1085	B-1100
	 White RAL 9010, brown RAL 8019, grey anthracite RAL 7016, anodised 20 micron, cream RAL 9001. Other colours optional.	

